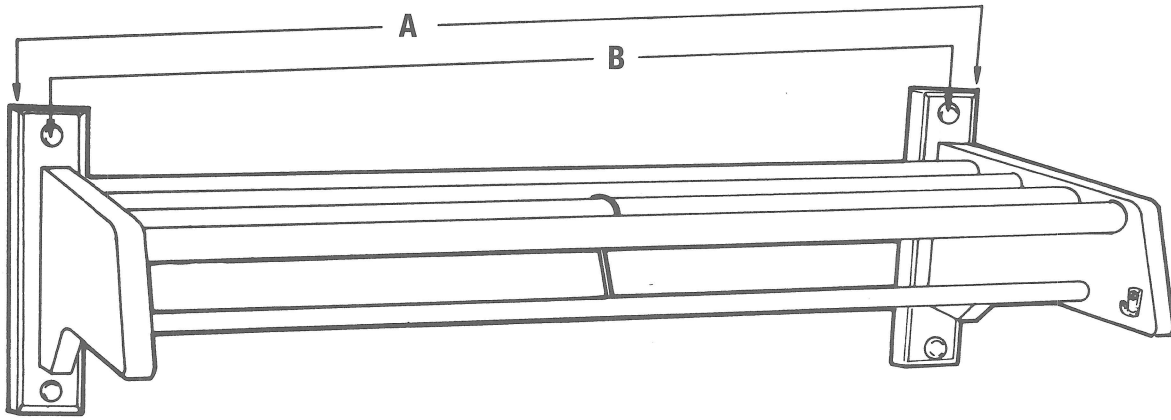
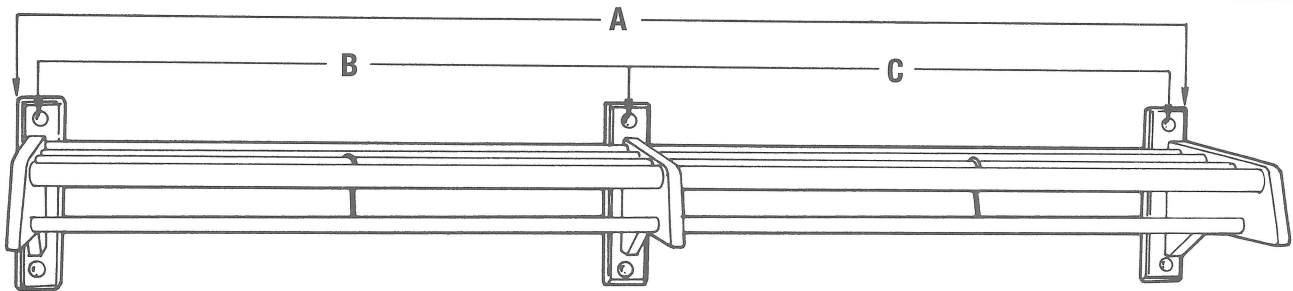


Specifications & Assembly/Installation Instructions for Shallow Depth Closet Units

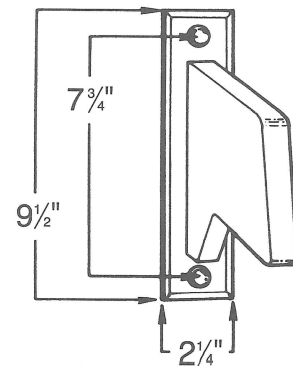
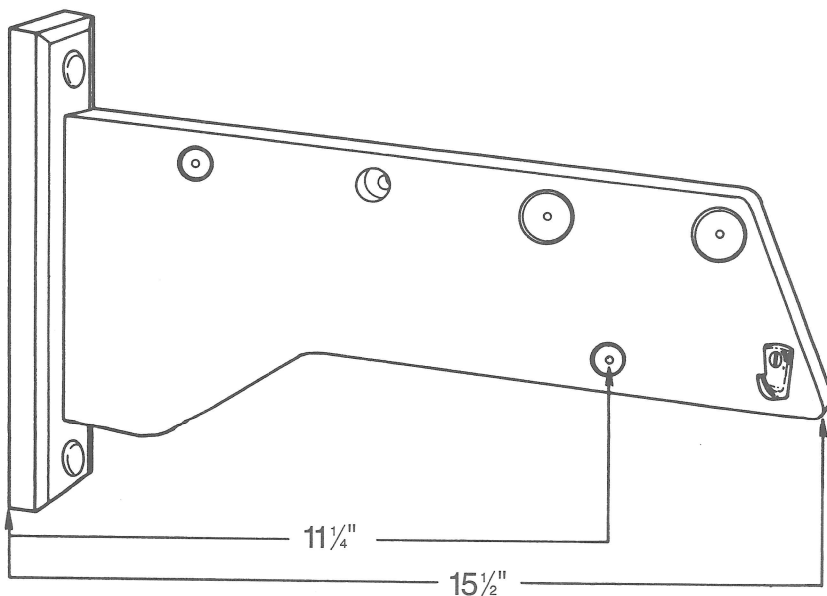


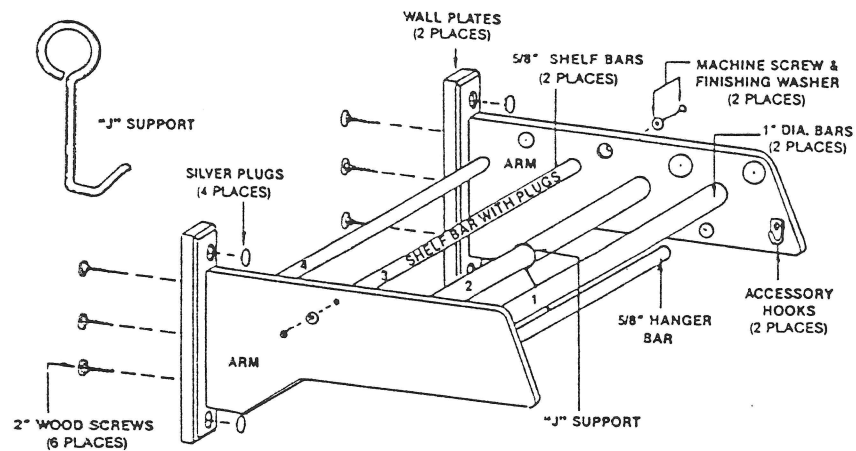
MODEL NO.	SIZE	A	B	MIN. CLOSET WIDTH	MIN. ALCOVE WIDTH*
N60124	24"	25½"	23¼"	27¾"	26"
N60130	30"	31½"	29¼"	33¾"	32"
N60136	36"	37½"	35¼"	39¾"	38"
N60142	42"	43½"	41¼"	45"	44"
N60148	48"	49½"	47¼"	51"	50"



MODEL NO.	SIZE	A	B	C	MIN. CLOSET WIDTH	MIN. ALCOVE WIDTH*
N60160	60"	61¼"	29⅝"	29⅝"	62¼"	61¾"
N60172	72"	73¼"	35⅝"	35⅝"	74¼"	73¾"
84" and 96" sizes available upon request.	84"	85¼"	41⅝"	41⅝"	86¼"	85¾"
	96"	97¼"	47⅝"	47⅝"	98¼"	97¾"

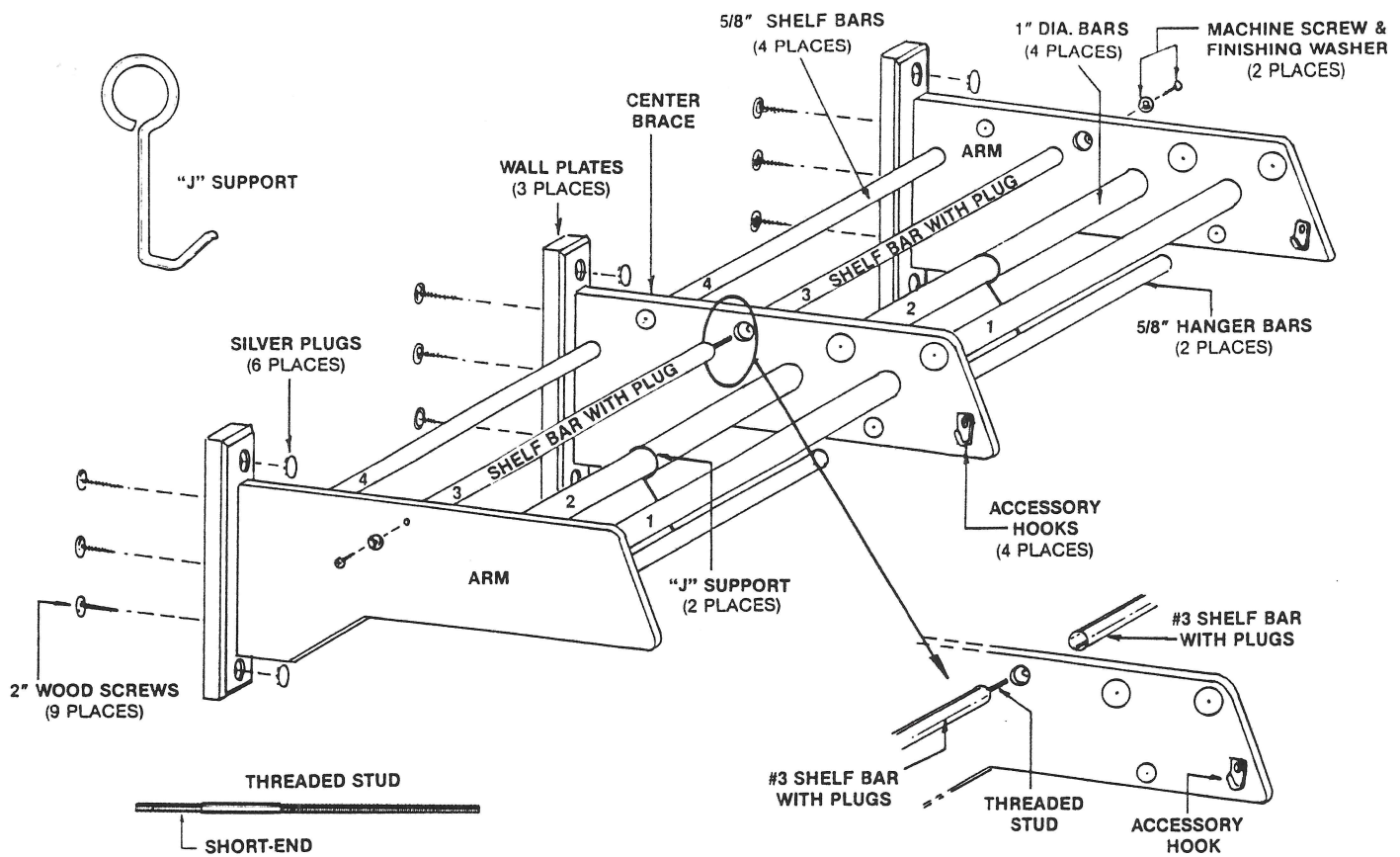
*The entrance of the alcove must be the same width as the interior.





NO. 601 SERIES

- 1) Screw wall plates onto arms using three 2" wood screws for each arm.
- 2) Lay the right hand arm on it's side. Select the 5/8" diameter shelf bar which contains the plugs and insert it into position #3. Set aside the 5/8" diameter hanger bar which is marked with gold foil labels on each end and 3/16" hole drilled in it's center. Insert the 1 remaining 5/8" diameter shelf bar into position #4. Insert one 1" diameter bar into position #1.
- 3) Slide "J" support over end of #2 shelf bar (1" diameter) and position at center of bar. Insert "J" support into 3/16" hole in hanger bar. Stand #2 shelf bar and hanger bar on end. Adjust "J" support so that both bars are parallel and the shank of the "J" support is 90° to both bars.
- 4) Insert both #2 shelf bar and hanger bar into position on arm. Make sure the "J" support is facing back towards the wall plates instead of forward (see illustration).
- 5) Being very careful not to scratch finish, insert left hand arm onto shelf and hanger bars.
- 6) Secure the #3 shelf bar to each arm with the two 1/4" machine screws and finishing washers.
- 7) As illustrated, screw accessory hooks into predrilled holes on inside face of each arm.
- 8) After mounting assembled unit on wall, insert silver buttons into top and bottom holes on wall plates and recheck that shank of "J" support is 90° to the hanger and #1 shelf bars.



NO. 601 SERIES WITH CENTER BRACE
(LENGTHS OF OVER 4 FT.)

- 1) Screw wall plates onto arms and center brace using three 2" wood screws for each arm and center brace.
- 2) Select the two 5/8" diameter shelf bars with plugs. Screw the short end of the threaded stud into one shelf bar and insert into #3 shelf bar hole in center brace. Screw the other shelf bar to the stud which now protrudes through the center brace. HAND TIGHTEN VERY SECURELY.
- 3) Set aside the two 5/8" diameter hanger bars which are marked with gold foil labels on each end and 3/16" hole drilled in their center.
- 4) Lay the right hand arm on it's side and insert the remaining 5/8" diameter shelf bar into position #4. Insert one 1" diameter bar into position #1.
- 5) Slide "J" support over end of #2 shelf bar (1" diameter) and position at center of bar. Insert "J" support into 3/16" hole in hanger bar. Stand #2 shelf bar and hanger bar on end. Adjust "J" support so that both bars are parallel and the shank of the "J" support is 90° to both bars.
- 6) Insert both #2 shelf bar and hanger bar into position on arm. Make sure the "J" support is facing back toward the wall plates instead of forward (see illustration).
- 7) Being very careful not to scratch finish, insert center brace onto the assembled right hand shelf and hanger bars.
- 8) Secure the #3 shelf bar to the right hand arm with the 1/4" machine screw and finishing washer. Tighten machine screw SECURELY.
- 9) As illustrated, screw accessory hooks into predrilled holes on inside face of each arm and both sides of center brace.
- 10) Repeat steps 4, 5, 6, 7, & 8 for the left hand arm.
- 11) After mounting assembled unit on wall, insert silver buttons into top and bottom holes on wall plates and recheck that shank of "J" support is 90° to the hanger and #1 shelf bars.