

Express Roller Shade Program

TIPS & TECHNIQUES FOR MEASURING WINDOWS



With their clean, modern design aesthetic and virtually limitless fabric options, roller shades continue to lead current trends in window treatments. Sleek and stylish, they add texture, warmth and function to any setting. It's important for designers, purchasing agents and hotel owners to understand the possibilities and limitations associated with this versatile window covering category.

Successful roller shade installations depend on selecting the right style and fabrics for the look desired, capturing the precise measurements of all windows, and determining the need for accessories such as side and sill channels or fascia. Before you begin measuring, download the Express Roller Shades Order Form.

What You Will Need to Start

- Steel Tape Measure
- Step Ladder (if necessary)
- Pencil and Paper
- Read Window Products Express Roller Shade Order Form








Before You Begin

- Decide what type and style of roller shade will work best for the window application – inside or outside mount; single or dual roller shades.
- For the most accurate measurements, only use a steel tape measure.
- Don't mix up width and height measurements. Always follow the width-by-height format (W x H) and mark them as such.
- Measure down to the nearest 1/8 inch. Never round up or down to the nearest half or whole inch.
- If you're measuring for more than one window, measure each one individually – never assume that your windows are the same size, even if they may look alike.

Inside Mount Roller Shades | How to Measure

A roller shade is considered to be 'inside mount' when it is installed within a window frame. The brackets of a shade that is inside mounted are installed in the jamb or on the surface of the window frame so the entire shade mechanism sits inside the window or casing. The brackets feature multiple holes allowing them to be mounted to the top, back or side of the window frame. Inside mount roller shades provide a sleek, clean and modern look.

To measure accurately for inside mount roller shades, follow these steps:








-  Measure the depth of your window frame, from the front of the opening to the glass. You'll need this measurement to ensure your window recess meets the minimum depth requirement for an inside mount. Refer to the Mounting Requirements section for the roller shade you've chosen to ensure your window meets the requirement for an inside mount.
-  Measure the width of each window. Measure your width only at the top of the window for roller shades.
-  Measure the height of your window opening in three places: left, center, and right. Circle the tallest measurement – this is the number you submit for your window's height.
-  Order at the exact opening size with no deductions. Our workroom will take deductions in production.
-  Double check that your measurements follow the width-by-height format (W x H).

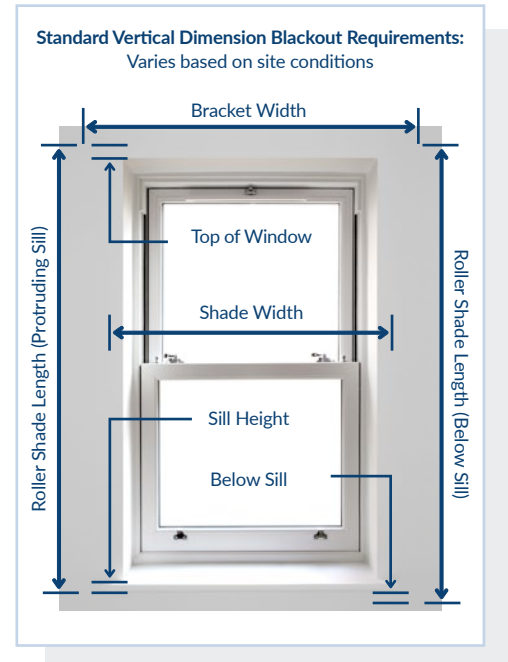


Outside Mount Roller Shades | How to Measure

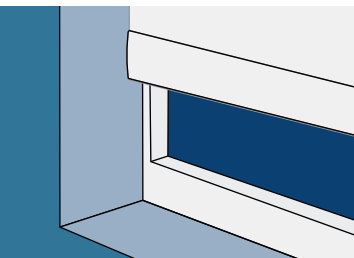
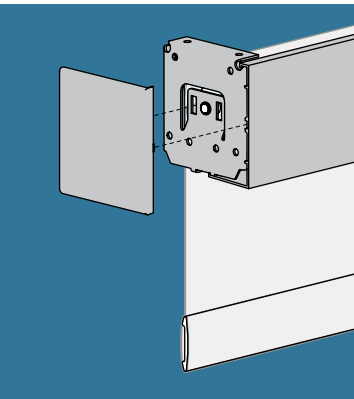
An outside mounted roller shade has dimensions that are larger than the actual window opening so that when the roller shade is rolled all the way down, the window is completely covered. Outside mount roller shades are installed either on the window molding or on the wall above the window. They are a good option if an inside mount is not possible due to window depth or obstructions around the window frame.

Follow these tips to ensure an accurate outside mount window measurement:

-  Check the mounting requirements on your roller shades to ensure you have enough flat surface for the mounting hardware.
-  Determine the width of the roller shades you want to order. For outside mount, the size of the shade you order is the finished width and height of the shade system. Please note that the fabric finished width has a total width deduction of 1-1/2" for the brackets, end caps and clutch/idle end systems, this is 3/4" on each side of the shade system.
-  The side channel is 2-1/2" wide so if you want the side channel to follow the edge of the window frame opening, add a total of 5" to the window opening dimensions. If not using side channels, add the desired fabric overlap on each side plus 1-1/2" for the brackets and shade mechanisms on each end of the shades, noted in the example below the image.
-  If your window has no trim, add the desired amount of inches on each side of your window to provide light gap coverage and privacy. Mark these additions on each side and measure the width between them in a straight line.
-  Determine the height of the shades you will order. If you have a protruding window sill, start at the sill and measure the appropriate number of inches beyond the top of the window opening to accommodate for mounting hardware.
-  If you do not have a protruding window sill, we recommend a 2" to 4" overlap below the sill for maximum coverage. Roller shade mounting brackets are 3-1/2" tall and 3-1/8" deep with Fascia. Our dual shade brackets are 5-1/4" tall and 5-1/8" deep and should be accounted for when measuring the desired shade height and width.
-  Double check that your measurements follow the width-by-height format (W x H). Note: outside mount roller shades will be made to the exact specified size.



Example: If you want 3" of fabric overlap on each side of the window, you would add 6" + 1-1/2" for a total of 7-1/2". If your window opening dimension is 40" plus 7-1/2" = 47-1/2" shade system gives you a 3" fabric overlap on each side. For the height overlap it will depend on your site conditions and how you need or want to install the brackets (Wall or Ceiling).



Key Considerations | Before You Order

FASCIA

Inside mount roller shades typically are specified with fascia but no end caps. Fascia is required unless a different top treatment is desired to cover the bracket and tube mechanism, and give the roller shade a more finished look. End caps are usually not needed as the outside face of the bracket is flush with the mullion/side of the window frame. Sometimes, part of the bracket may stick outside of the window frame, and then, an end cap can be altered to cover that area.

Knowing the width of the roller shade bracket compared to the depth of the window frame should give you the information needed to specify end caps vs. not doing so to save some money.

All roller shade types are able to be installed inside mount (including manual single and dual). Inside mounted roller shades include a small 1/8" deduction on the fascia and shade system to fit inside the opening.

MEASURING CORNER OR BAY WINDOWS

For specialized windows or those with any identified obstacles, contact Read Window Products directly for support and guidance on how to measure properly before placing an order.

MEASURING QUESTIONS OR CONCERNS?
Get in touch with our installation experts at cs@nathosp.com.

