

THE HOLLYWOOD EZ SLEEPER®

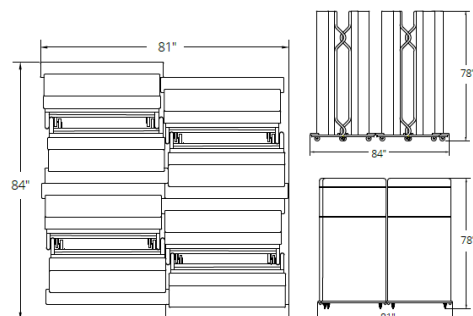


FEATURES & BENEFITS

- TWIN SIZE (VERTICOIL OPEN OFFSET) INNERSPRING MATTRESS (8") & FOUNDATION FOR ADDED COMFORT
 - LIGHTWEIGHT DESIGN TO SAVE HOUSEKEEPING TIME & EFFORT
 - EASY TO MOVE THROUGH HALLWAYS WITH FOUR (2.5")
 - HEAVY DUTY SWIVEL CASTERS
 - ADJUSTABLE VELCRO STRAPS SECURELY HOLDS MATTRESS & PILLOW IN PLACE
-
- OVERALL BED MEASURES -39" W; 78.5" L; MATTRESS -74" L
 - SHIP WT. 120 LBS
 - MATTRESS MEETS THE CFR 1632, CFR 1633, AND CA TB129 STRINGENT FIRE RETARDANT REQUIREMENTS



Store Multiple Mobile Sleepers into a small footprint to save space when they are not in use. In the upright position simply roll them into the nested position for simple entry and egress.



(Based on Eight (8) Twin Size Standard Mobile Sleepers)