

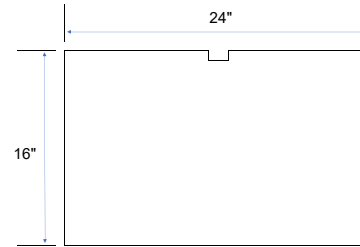
LANG FURNITURE INC.

*Edison Nightstand  
with Shelf*

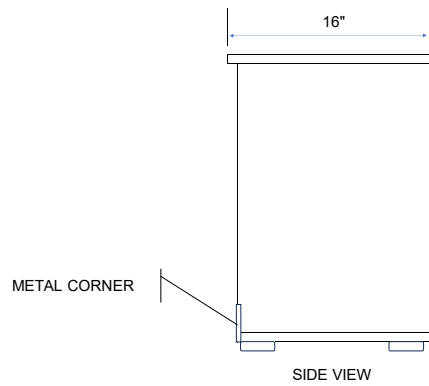
**Item Number:**  
ED49V

**Dimensions:**  
ED49V

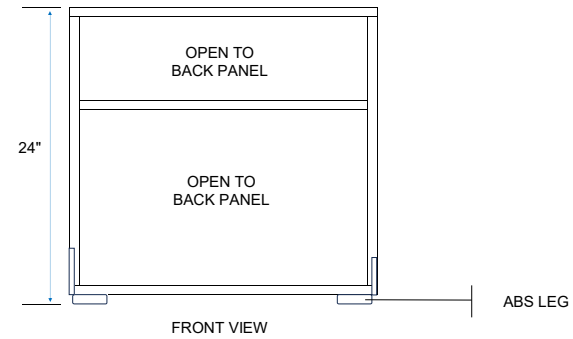
GLUED, SCREWED, AND DOWEL  
CONSTRUCTION FOR STRUCTURAL STABILITY



TOP VIEW



SIDE VIEW



FRONT VIEW