

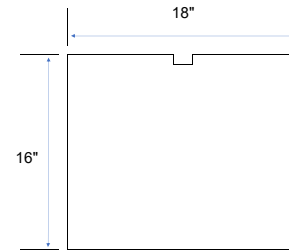
LANG FURNITURE INC.

*Edison 28"H Nightstand
with Shelf*

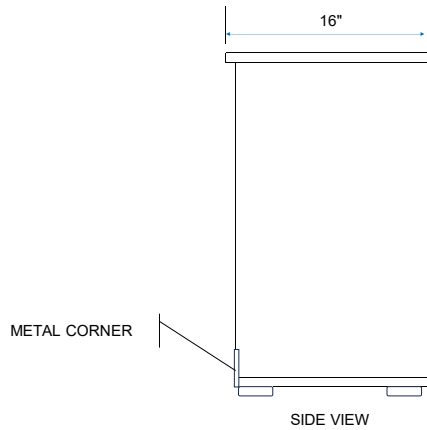
Item Number:
ED43V

Dimensions:
18"W x 16"D x 28"H

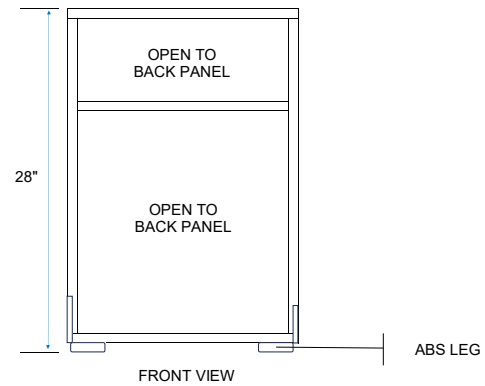
GLUED, SCREWED, AND DOWEL
CONSTRUCTION FOR STRUCTURAL STABILITY



TOP VIEW



SIDE VIEW



FRONT VIEW