

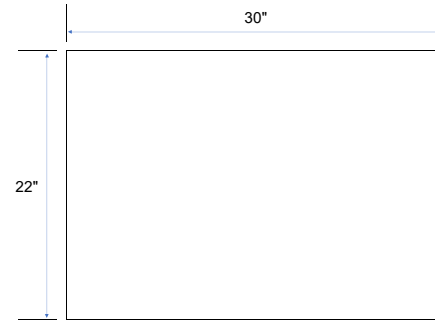
LANG FURNITURE INC.

Edison 4-Drawer Chest

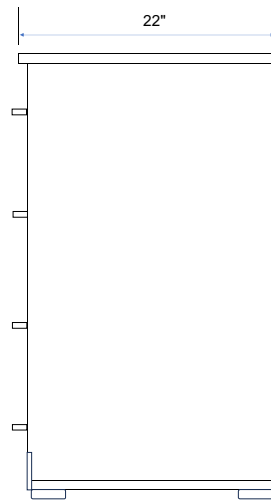
Item Number:
ED3036

Dimensions:
30"W x 22"D x 36"H

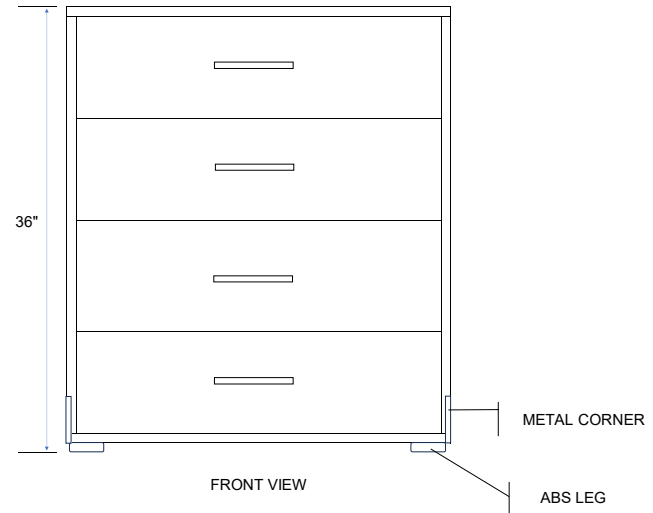
GLUED, SCREWED, AND DOWEL
CONSTRUCTION FOR STRUCTURAL STABILITY



TOP VIEW



SIDE VIEW



FRONT VIEW