

CULP
HOSPITALITY



DIY INSTALLATION GUIDE

Express Roller Shades



LET'S ROLL

Congratulations on your purchase of our manual Express Roller Shades! This guide will provide easy to follow, step-by-step instructions that we hope will make installing your new blinds a snap. It covers steps on preparing the installation area, tips on where to begin and detailed instructions on how to securely mount the shades and the safety tensioning device.

While this is a Do-It-Yourself program, if you have installation questions, run into any unique challenges or need additional support, we are here to help!

Contact us at cs@nathosp.com





CONTENTS

Before You Begin	4
Single Roller Shade – Shade Component Diagram	5
Single Roller Shade – Fascia Diagram	6
Inside Mount Roller Shade – Installation Instructions	7
Outside Mount Roller Shade – Installation Instructions	8
ChainHold Tension Device – Installation Instructions	9
ChainHold Tension Device – Child Safety Compliance	10
Dual Roller Shade – Shade Component Diagram	11
Dual Roller Shade – Installation Instructions	12



BEFORE YOU BEGIN

The Tools You'll Need for Shade Installation:

- Step Stool or Ladder
- Drill and Needle Nose Pliers
- Measuring Tape
- Pencil – for marking bracket and screw hold locations before pre-drilling
- Screws and/or anchors – for the type of install you are doing

Inside Mount: Use #6 or #8 screws, usually 1 to 1-½ inches long; If you're mounting into drywall or plaster, use wall anchors to ensure a secure fit. For metal storefront window frames, you can use a #8 (¾") tech screw.

Outside Mount: Use #6 or #8 screws, typically 1-½ to 2 inches long. These screws should be long enough to securely anchor the brackets into the wall; If you're mounting into drywall or plaster, wall anchors are essential to ensure the brackets hold firmly.

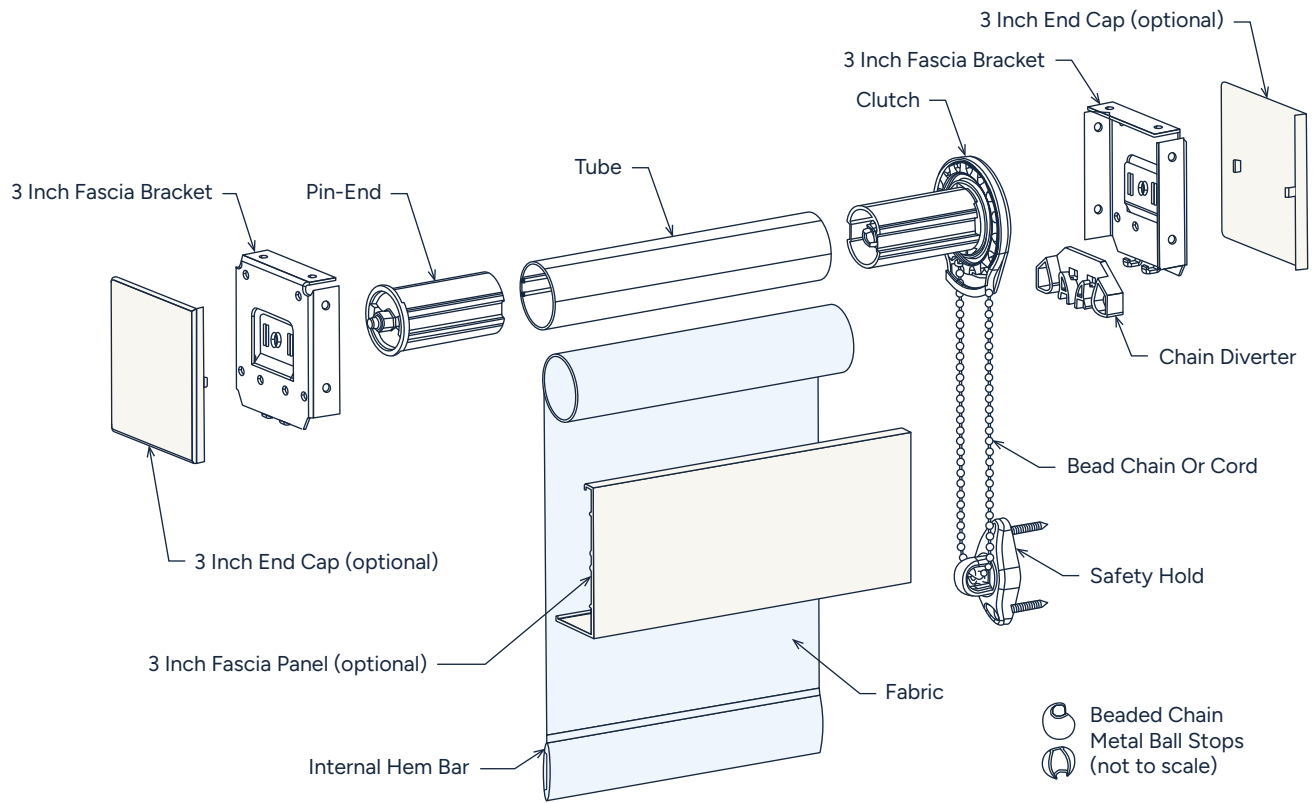
TIPS BEFORE YOU START

1. Open box and unpackage all shade parts.
2. Confirm product fit and bracket location by holding the fascia up either inside or outside the window depending on how it will be mounted.
See page 6 for Fascia diagram.



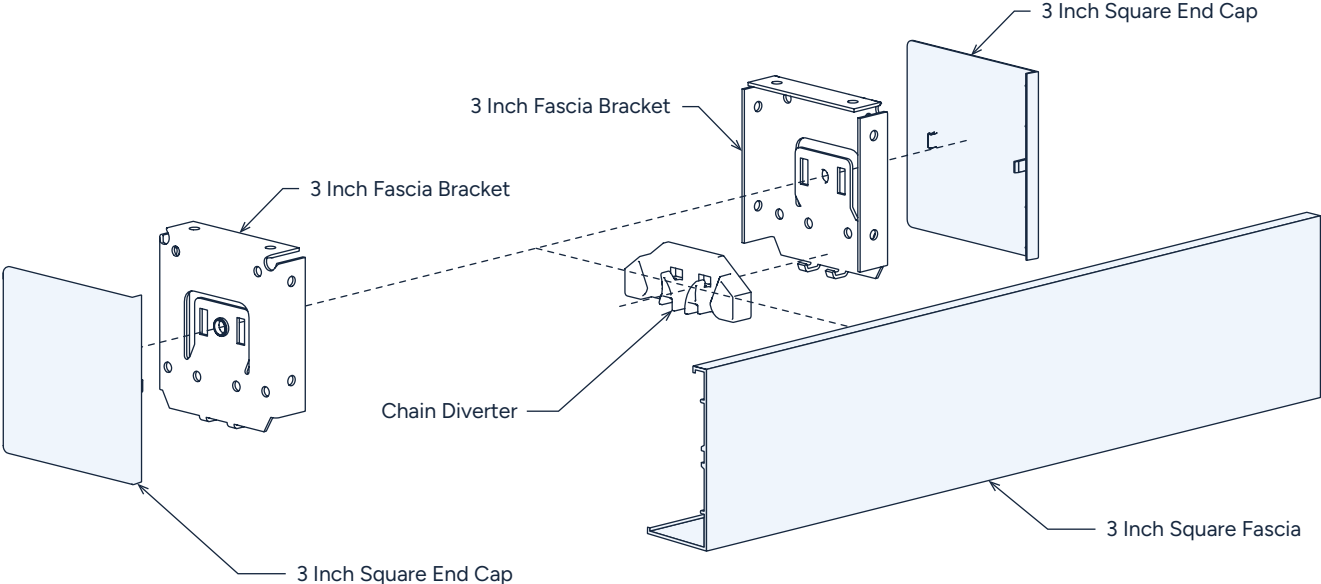
SINGLE ROLLER SHADE

Shade Component Diagram



SINGLE ROLLER SHADE

Fascia Diagram (IF ORDERED)



INSIDE MOUNT ROLLER SHADE

Installation Instructions



Step 1 – Measure and Mark

Measure desired position and mark the screw locations for brackets.

Step 2 – Install Brackets

Pre-drill the holes and screw the brackets into place. Ensure they are level.

Step 3 – Attach Chain Diverter and Chain

Attach chain diverter into clutch bracket by gently pulling down. Insert the hooks on the clutch into the two slots in the bracket.

Step 4 – Mount the Shade

Insert the round pin end of the shade into one bracket, then push in the spring-loaded end and release it into the other bracket. Once the roll has been installed, align the chain in the diverter as shown.

Step 5 – Install Chain Tension Devices and Beaded Chain Ball Stops

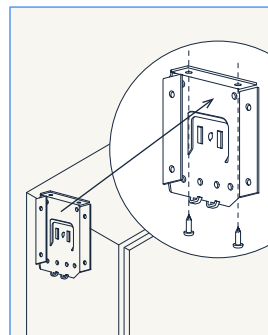
See page 9.

Step 6 – Test the Shade

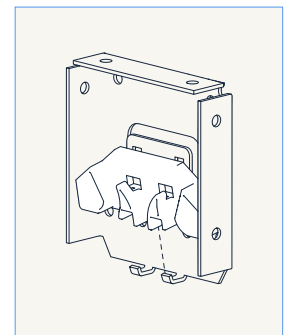
Pull the shade down and up to ensure it moves smoothly.

Step 7 – Attach the Fascia

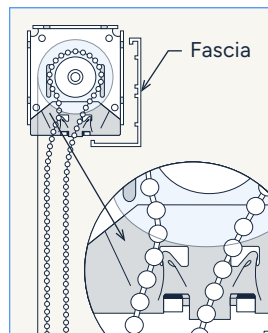
Hook the top lip of the fascia onto the brackets, then snap the bottom lip into place. Ensure the fascia is flush and secure.



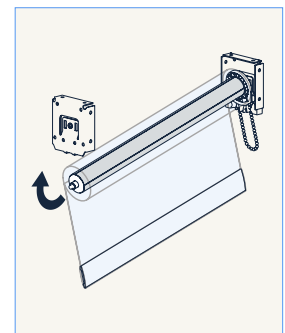
Steps 1 and 2



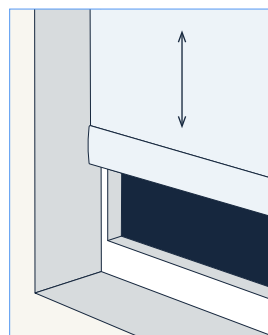
Step 3.1



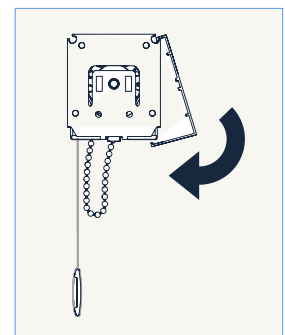
Step 3.2



Step 4



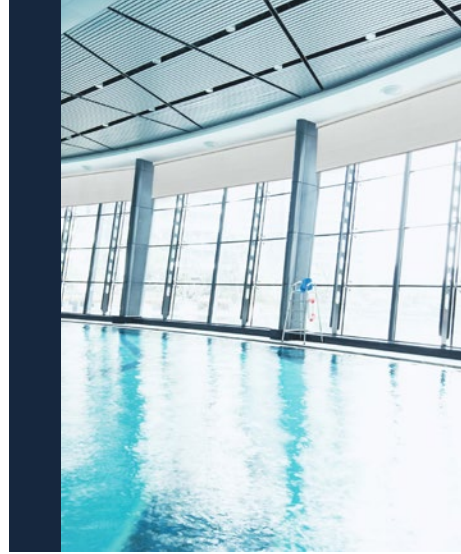
Step 6



Step 7

OUTSIDE MOUNT ROLLER SHADE

Installation Instructions



Step 1 – Measure and Mark

Hold the shade in the desired location and mark the bracket and screw holes.

Step 2 – Install Brackets

Pre-drill the holes and screw the brackets into place.

Step 3 – Attach Chain Diverter and Chain

Attach chain diverter into clutch bracket by gently pulling down. Insert the hooks on the clutch into the two slots in the bracket.

Step 4 – Mount the Shade

Insert the retractable pin into one bracket, then the other side into the other bracket. Once the roll has been installed, align the chain diverter as shown.

Step 5 – Install Chain Tension Devices and Beaded Chain Ball Stops

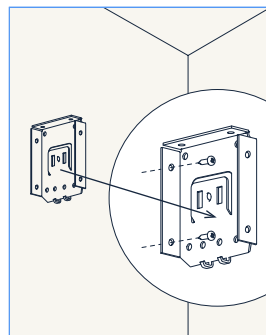
See page 9.

Step 6 – Test the Shade

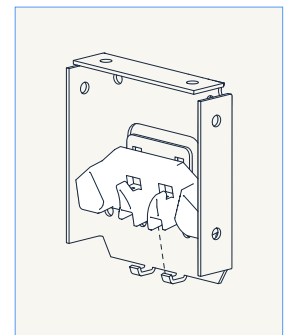
Lower and raise the shade to ensure it operates correctly.

Step 7 – Attach the Fascia and Endcaps

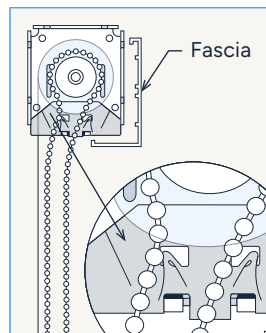
Hook the top lip of the fascia onto the brackets, then snap the bottom lip into place. Ensure the fascia is flush and secure.



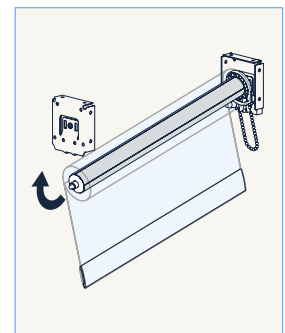
Steps 1 and 2



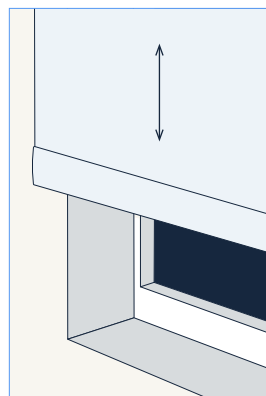
Step 3.1



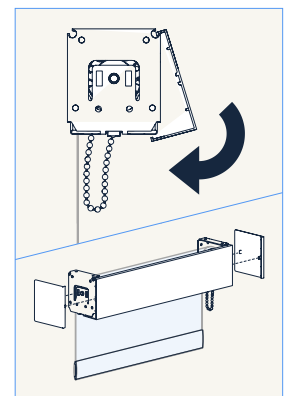
Step 3.2



Step 4



Step 6



Step 7

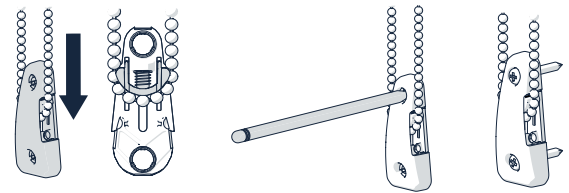
CHAINHOLD TENSION DEVICE

Installation Instructions

Chainhold Installation

1. Pull the Chainhold down until the chain is fully tensioned (plunger will be fully raised).
2. Mark screw hole locations.
3. Screw device into wall.

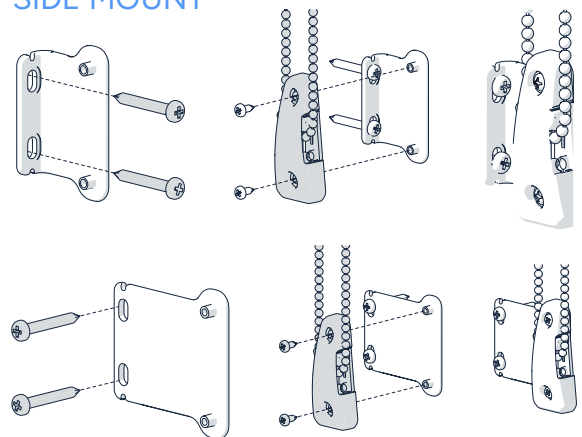
OUTSIDE MOUNT



Additional Mounting Options

1. With provided screws, install bracket first with large screws (use Chainhold marked screw hole locations as reference).
2. Install Chainhold into bracket with small screws.

SIDE MOUNT



Ball Stop Installation

1. On metal bead chain, attach a metal Ball Stop so that it touches the clutch when the shade is in the fully-raised position and pinch the Ball Stop with pliers.
2. Lower the shade to its fully-lowered position, and attach the metal Ball Stop next so that it touches the clutch, this prevents the shade from being lowered beyond that point and pinch with pliers.



Beginning June 1, 2024, all roller shades with a chain or cord loop must include an ANSI/WCMA A100.1.2022 compliant tension device. Our manual shade systems feature chainhold tension devices to meet child and pet safety standards and provide smooth, reliable performance.

CHAINHOLD TENSION DEVICE

Child Safety Compliance

Safety is paramount to us at Read Window Products. Beginning June 1, 2024, all roller shades with a chain or cord loop must include an ANSI/WCMA A100.1.2022 compliant tension device. Our shade systems feature Chainhold Tension Devices to meet child and pet safety standards and provide smooth, reliable performance.

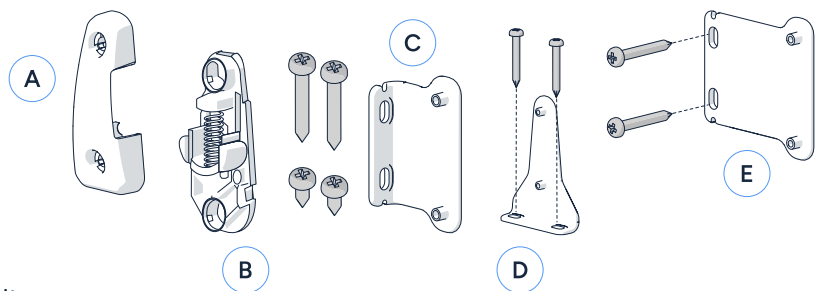
Chainhold Features

- Quick and easy assembly
- Fast installation with outside mounting bracket available
- Smooth operation with both metal and plastic stop balls and chain connectors
- Quiet, efficient and reliable performance
- Stylish, discreet appearance blends with any design or décor



Chainhold Components[†]

- A. Chainhold Cover[†]
- B. Chainhold Base Assembly[†]
- C. Chainhold Mounting Kit[§]
- D. Chainhold Floor Fix Bracket^{††}
- E. Chainhold Side Fix Bracket^{††}

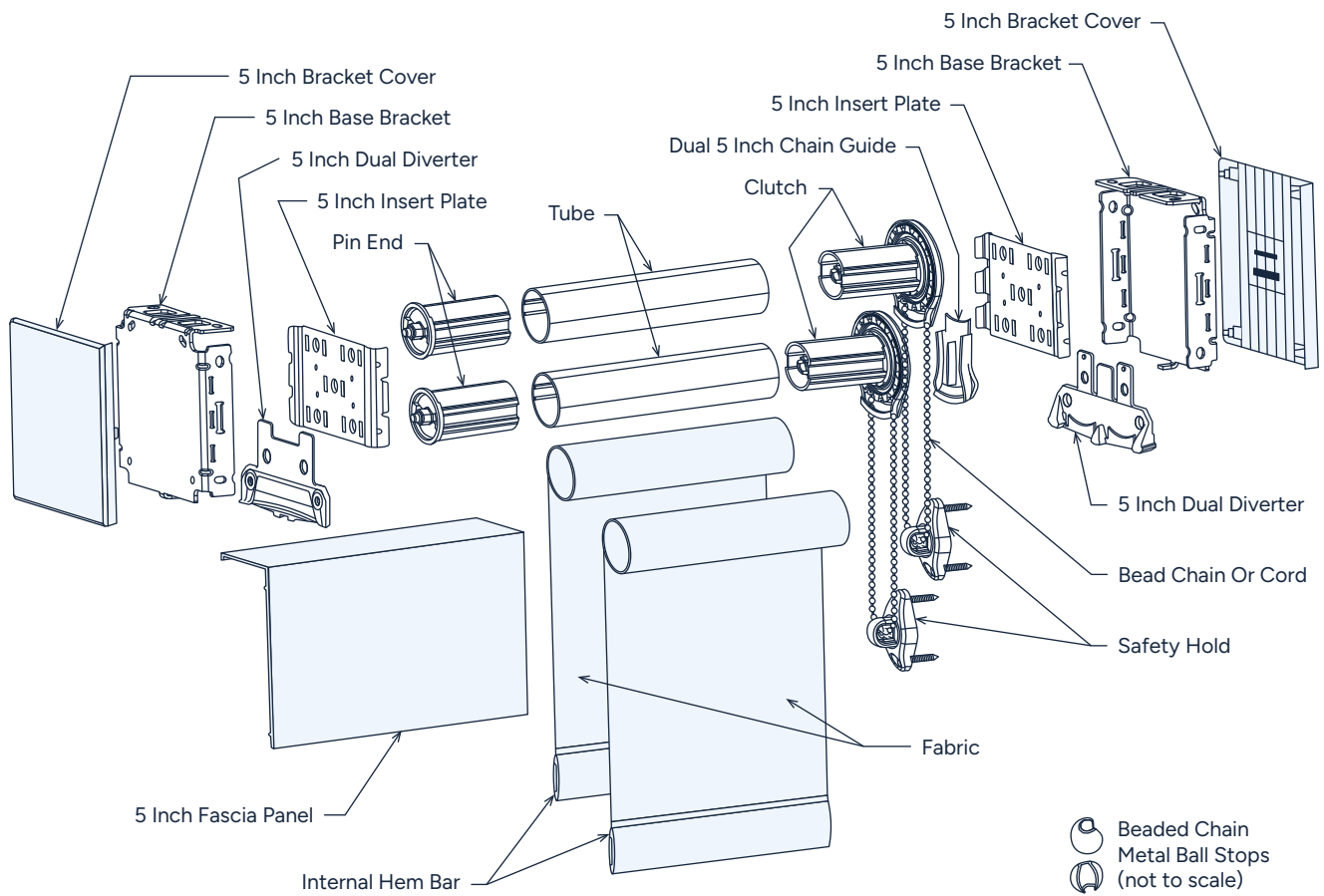


[†]200 pieces per pack; [†]Available in clear, white, gray and black; [§]Only available in clear

Many current tension devices are not compliant with ANSI/WCMA A100.1.2022 Cord Safety Standard. Contact us to ensure your roller shades meet the latest safety standard.

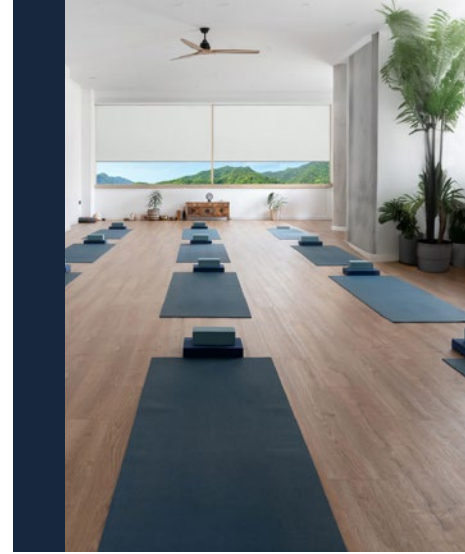
DUAL ROLLER SHADE

Shade Component Diagram



DUAL ROLLER SHADE

Installation Instructions



Ceiling or Lateral Mount Installation

Inside/Partial-Inside

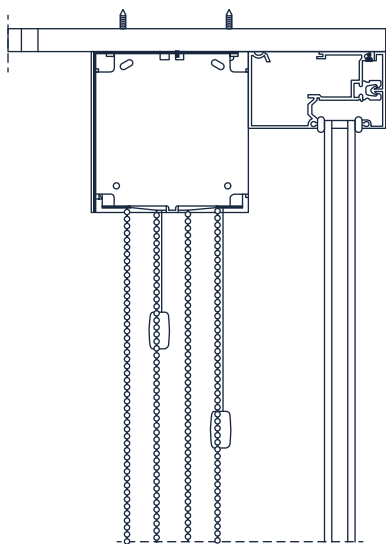
Step 1 – Fascia Assembly

1. Pre-assemble brackets and fascia before mounting for ceiling, inside, or partial-inside installations.

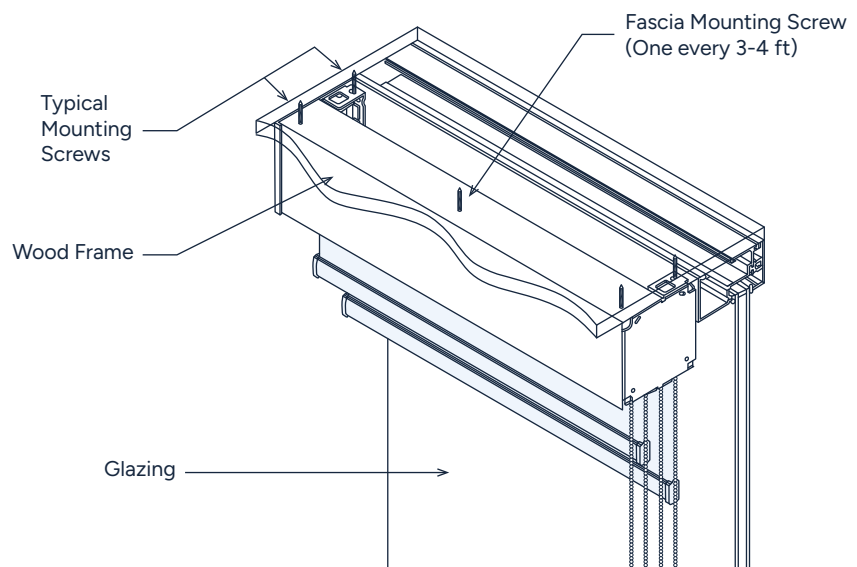
Step 2 – Fascia Installation

1. Match assembly for drive side and idle end to ensure secure installation.
2. Attach fascia to bracket by hooking long side lip onto bracket tab, then swing up and press short side lip until it engages bracket tab.

SIDE VIEW



TOP VIEW



DUAL ROLLER SHADE

Installation Instructions



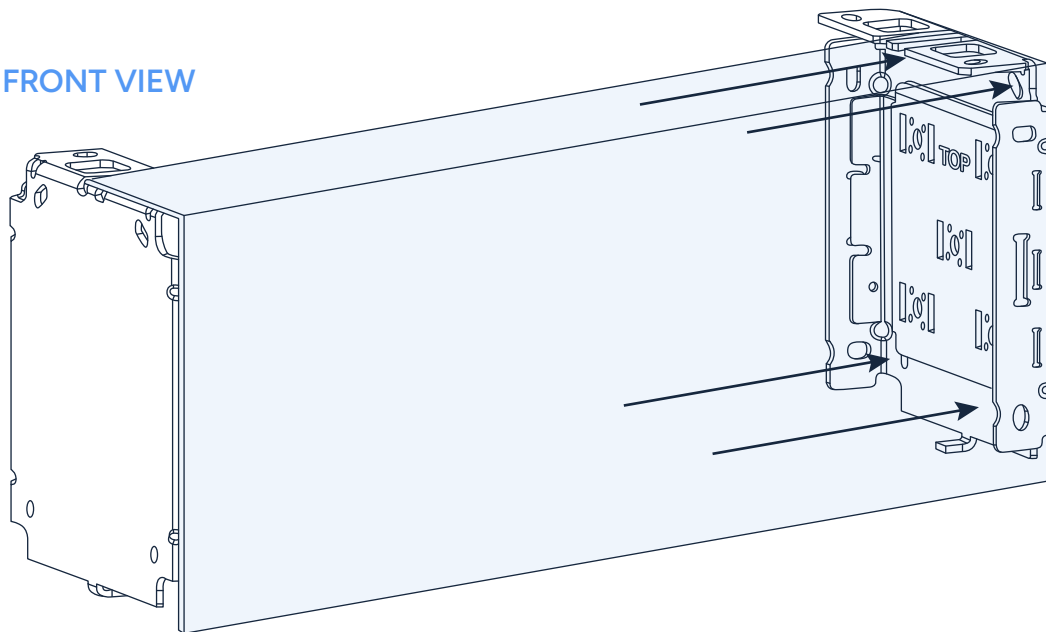
Ceiling Mount Installation

1. Install the fascia/bracket assembly in the desired location.
2. Drive the fascia mounting screws through the top return to temporarily secure the brackets. Ensure the brackets are installed securely to support the roller shade system.

Lateral Mount Installation

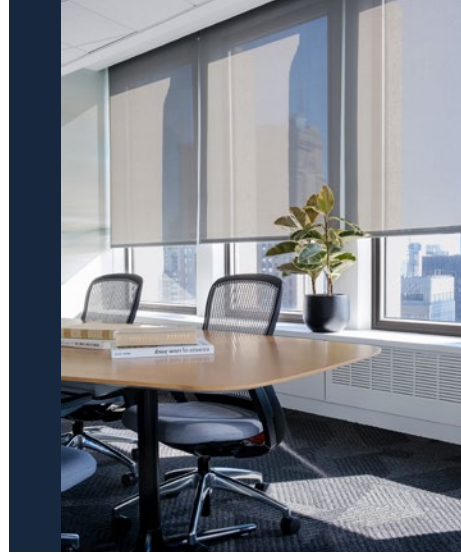
1. Use the provided holes on the bracket for lateral mounting.
2. Install the brackets as required using appropriate anchors and fasteners.

FRONT VIEW



DUAL ROLLER SHADE

Installation Instructions



Shade Installation

1. Securely fasten the fascia/bracket set in place.
2. Begin installing the shades with the one closest to the window glazing in the upper or lower position. For each shade:
 - Install the idle end first.
 - Support the drive end of the shade as the idle end is installed.
 - Do not support the shade by the clutch alone, as this may damage the clutch.
 - Support the shade until it is fully seated in the bracket set.
3. Install Chain Tension Devices and Beaded Chain Ball Stops; see page 9.
4. Lower and raise the shades to confirm smooth operation including proper setting of stops.
5. Check before and after installing tension devices.

ASSEMBLED VIEW

