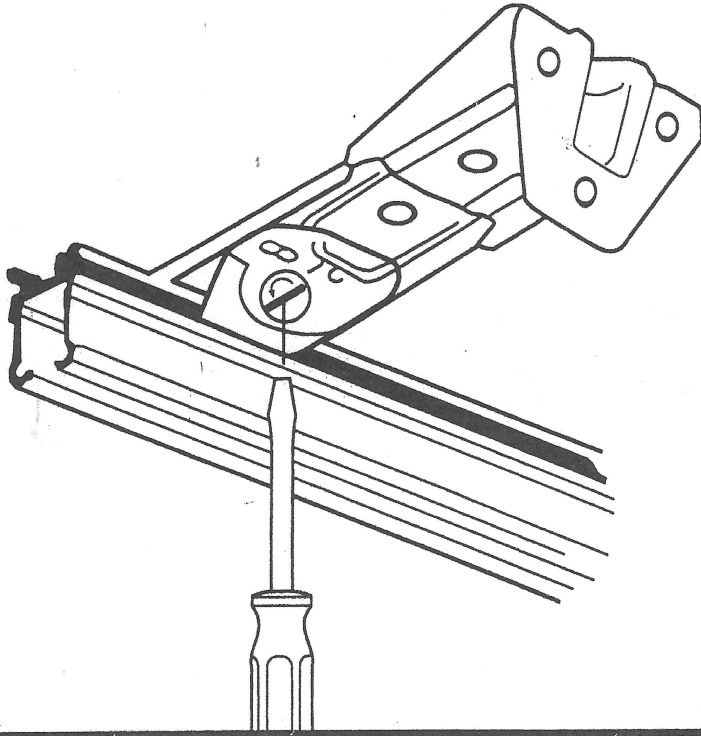


# National Hospitality Supply, Inc.

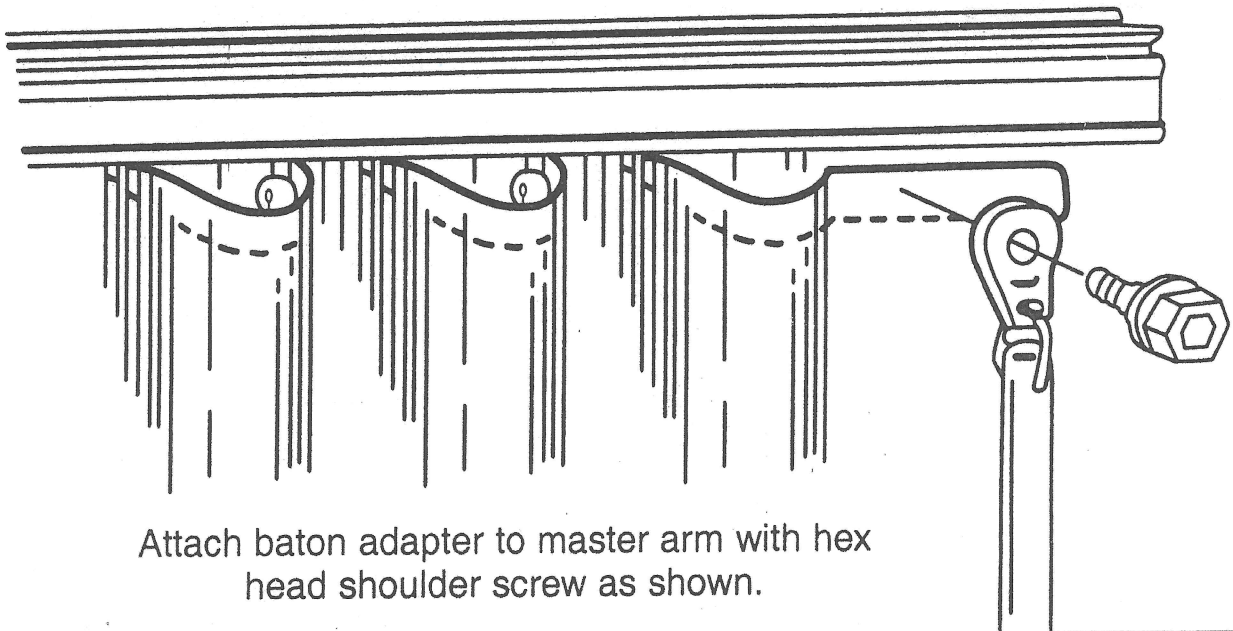
## ADDITIONAL ASSEMBLY INSTRUCTIONS FOR BATON DRAW DRAPERY TRACK



### 1. ATTACH ROD TO BRACKETS

Place top front lip of rod into bracket and turn cam counterclockwise with screwdriver.

### 2. ATTACH BATON



Attach baton adapter to master arm with hex head shoulder screw as shown.